



Shiv Sagar Industries

ISO 9001:2008



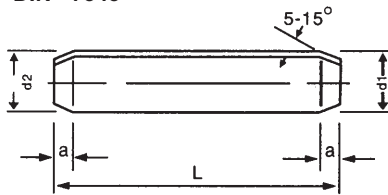
SPIRAL DOWEL PINS

DIN 7343

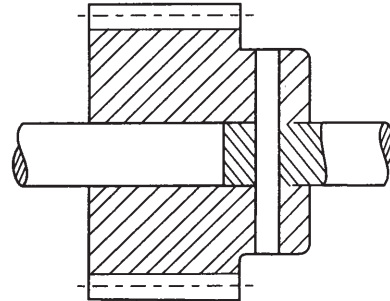
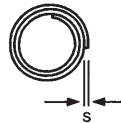
DIN 7344

IS : 8351

DIN - 7343



LIGHT PATTERN DIMENSIONS IN MM

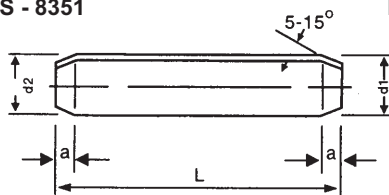


To order, indicate Dia of the Hole x Length
e.g. SPIRAL DOWEL for nom. Dia of Hole
4mm x Length 28mm.

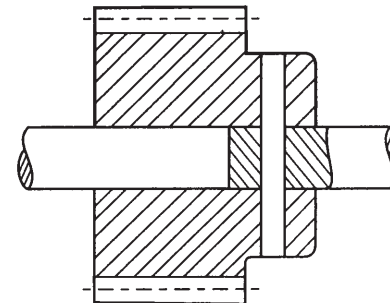
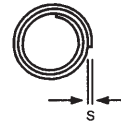
Order as SPIRAL DOWEL 4mm x 28mm Din - 7343

NOMINAL DIA	0.8	1	1.2	1.5	2	2.5	3	3.5	4	5	6	8	10	12	14	16
a ≈	0.2	0.3	0.4	0.5	0.7	0.8	1	1.2	1.3	1.7	2	3	3	4	4.5	5
s	0.07	0.08	0.1	0.13	1.17	0.21	0.25	0.29	0.33	0.42	0.5	0.67	0.84	1	1.2	1.3
d1	0.85	1.1	1.3	1.62	2.15	2.65	3.15	3.67	4.2	5.25	6.25	8.35	10.45	12.5	14.55	16.55
Tol.(+)	0.05	0.05	0.1	0.1	0.1	0.15	0.15	0.17	0.2	0.25	0.25	0.25	0.35	0.35	0.4	0.45
d2	0.75	0.95	1.15	1.4	1.9	2.35	2.85	3.35	3.8	4.8	5.8	7.75	9.6	11.5	13.5	15.4
Tol.	L	4 To 10 MM = +0.5					12 To 50 MM = +1.0					52 To 100 MM = +1.5				

DIN - 7344 IS - 8351



HEAVY PATTERN DIMENSIONS IN MM



To order, indicate Dia of the Hole x Length
e.g. SPIRAL DOWEL for nom. Dia of HDI-E
4mm x Length 28mm.

Order as SPIRAL DOWEL 4mm x 28mm Din - 7344 / IS 8351 LIGHT

NOMINAL DIA	1.5	2	2.5	3	4	5	6	
a ≈	0.5	0.7	0.8	1	1.3	1.7	2	
s	0.17	0.22	0.28	0.33	0.45	0.56	0.67	
d1	1.6	2.1	2.6	3.12	4.15	5.15	6.25	
Tol	+0.08	+0.1	+0.1	+0.13	+0.15	+0.15	+0.15	
	-0	-0	-0	-0	-0	-0	-0	
d2	1.4	1.9	2.35	2.85	3.8	4.8	5.8	
Tol.	L	4 To 10 MM = +0.5			12 To 50 MM = +1.0		52 To 100 MM = +1.5	